

**21,80** Kg

Weight without  
basket

**120** L

Basket Capacity

**1.165** mm

Height

**575** mm

Diameter



## FEATURES

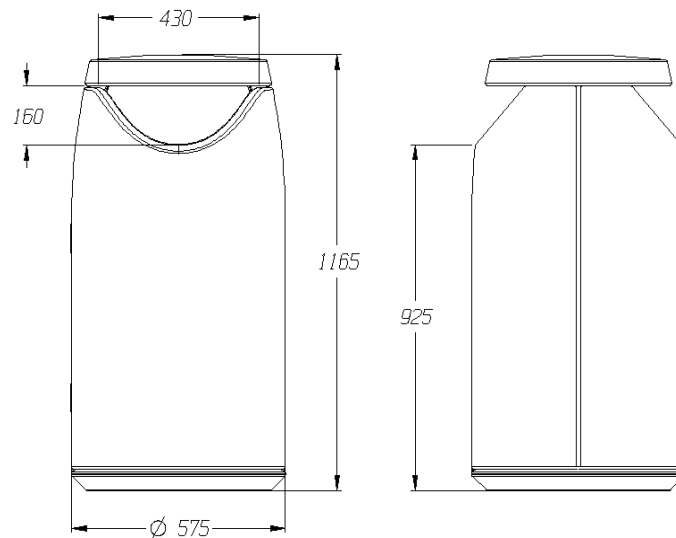
Manufactured in solid-coloured linear polyethylene and stabilised against the combined effects of UV radiation and water, and also resistant to bad weather, detergents, mould and bacteria.

Metal parts treated with cathoresis or hot-galvanised to prevent corrosion.

Its smooth surface prevents build-up of dirt and makes cleaning easier.

Circular 130 litre capacity body with an access hatch that occupies half of the body diameter and can open to 180°, making it easy to empty.

Can be customised by printing or a badge on the body measuring 190 x 190 mm maximum.



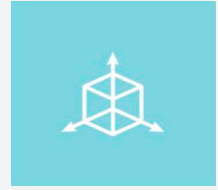
### ATTRIBUTES



QUALITY



ERGONOMIC



DESIGN

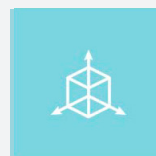


### EQUIPMENT

120 litre capacity basket made of polyethylene, equipped with a handle and wide integrated lifting area for easy handling.

The fixing system comprises a support base built into the body which enables secure attachment to the pavement by four 12 mm diameter universal anchoring devices.

A collection bag or two-compartment basket can be supplied on request for segregation of two types of waste.



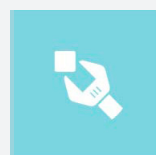
Design



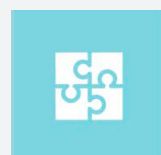
Customised



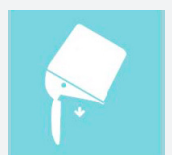
Easy to clean



Easier maintenance



Easier assembled



Easier emptying