

Semicircular: 15 Kg
Circular: 14, 4 / 16 Kg

Weight with support

Semicircular: 35
Circular: 50 / 70 L

Capacity

530 mm

Basket height

Semicircular: 450 mm

Circular: 390 mm
450 mm

Basket diameter



FEATURES

The basket capacity is 35 litres for the semicircular version and either 50 or 70 litres for the circular model. It is made from 1.5 mm thick perforated steel plate, reinforced with two 30 x 15 x 1.5 mm thick oval profile tubular steel tubes; and can be simply removed for ease of handling and emptying by maintenance staff..

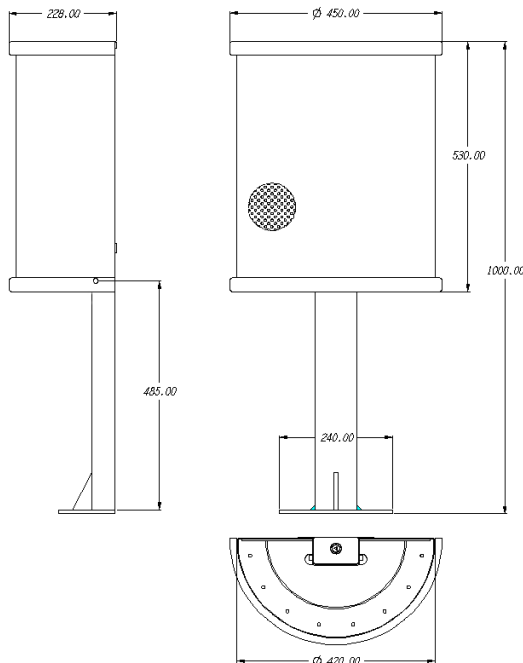
The support on the circular version comprises an H-shaped steel structure having an oval profile 60 x 20 x 1.5 mm thick, fitted with a lock.

The support on the semicircular version is a tubular steel structure 90 x 50 x 2 mm thick and fitted with a lock.

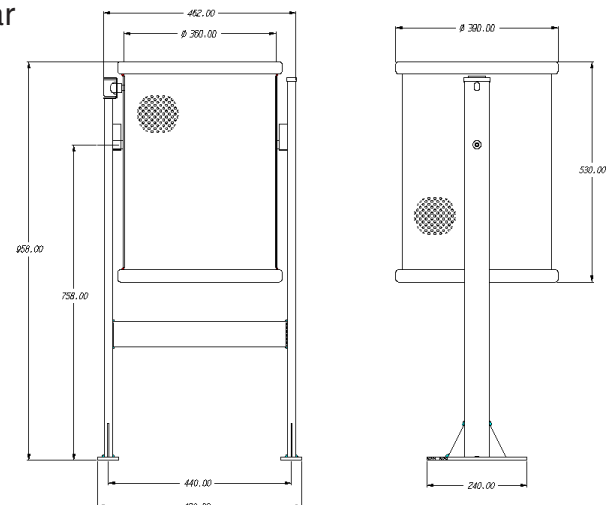
STANDARDS



Barcelona 35
Semicircular



Barcelona 50
Circular



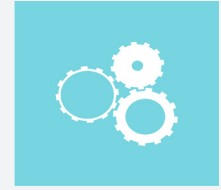
ATTRIBUTES



QUALITY



ERGONOMIC



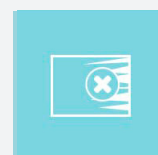
FUNCTIONALITY



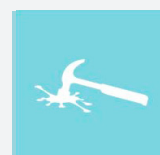
EQUIPMENT

The Barcelona litter bin has a special powdered polyester finish, applied by robot and finished with automatic ovenhardening.

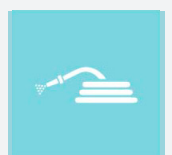
All parts have been corrosion-treated by cataphoresis, which means the unit will have high resistance to extreme weather conditions plus it will not suffer from rust points.



Anti-rust treatment



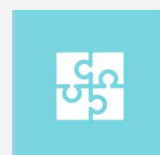
Resistant



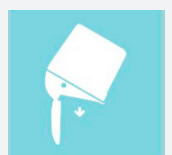
Easy to clean



Easier maintenance



Easier assembled



Easier emptying