

# GOYA



Goya single



Goya twin

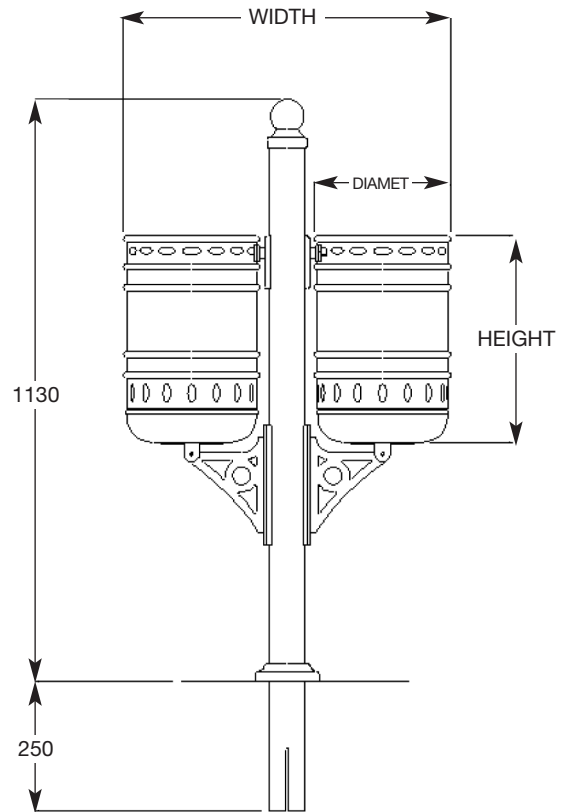
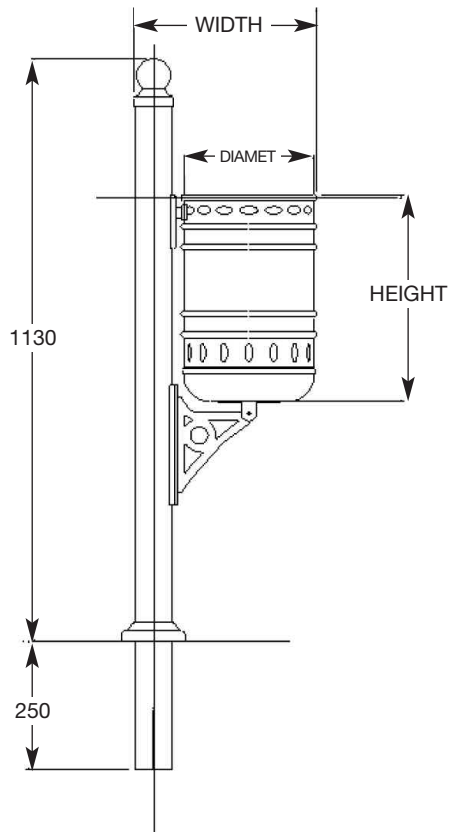


Contenur litter bins come in a wide variety of designs, they are made from polyethylene, steel or cast aluminium. They are readily adaptable to any urban environment such as historical settings, gardens and walkways, business districts and shopping centres.

Contenur designs and manufactures its litter bins to procedures based on ISO 9001, and the Environmental

Management System also has ISO 14001 Quality Management certification.

The Contenur Group guarantees the quality of all its products, and on request can also offer a complete product maintenance programme. For more information, please contact our Technical Sales network.



## TECHNICAL SPECIFICATIONS

|                      | Single  | Twin    |                               | Single  | Twin    |
|----------------------|---------|---------|-------------------------------|---------|---------|
| CAPACITY (litres)    | 20-30   | 40-60   | MAXIMUM WIDTH (mm)            | 360-410 | 640-740 |
| BASKET DIAMETER (mm) | 250-300 | 250-300 | TOTAL HEIGHT (mm)             | 1130    | 1130    |
| BASKET HEIGHT (mm)   | 400-445 | 400-445 | WEIGHT including support (kg) | 10-11   | 16-18   |

## GENERAL SPECIFICATIONS

■ The Goya model is a hard-wearing litter bin, designed for use in historical sites, pathways, gardens, parks etc

■ The 20 or 30 litre capacity basket is made from 1.2 mm thick steel plate, in grey, with an upper reinforcing rim and locking bolt. It is easy to remove for handling and emptying by maintenance staff.

■ The single or twin support is made from 1.5 mm thick DIN 2448 ST 37 seamless steel tube, fitted with a side access lock which does not obstruct tipping of the basket.

■ The fixing mount system is carefully designed for easy switching between different capacity baskets.

■ All parts have been corrosion-treated by cataphoresis, which means the unit will have high resistance to extreme weather conditions plus it will not suffer from rust points.

■ The Goya litter bin has a special powdered polyester finish, applied by robot and finished with automatic oven-hardening.