

2400 D: 135 Kg  
3200 D: 180 Kg

Weight

2.400 l.  
3.200 l.

Capacity

2400 D: 960 Kg  
3200 D: 1.280 Kg

Nominal load

980 mm  
Accessible apertures  
loading height



### FEATURES

The body and lid are injection moulded in solid-coloured high-density polyethylene stabilised against the combined effects of UV radiation and water.

High-density polyethylene makes the product highly resistant to atmospheric conditions and gives it great stability against fluctuations in temperature.

Manufactured using environmentally friendly recyclable materials.

There are no heavy metals in the pigments.

Stable colours and total corrosion resistance.

Universally accessible side loading containers are available in two different sizes: 2,400 and 3,200 litres.

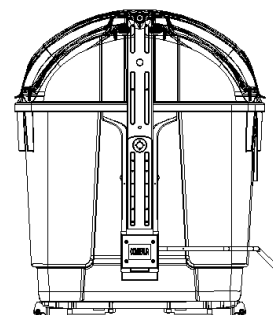
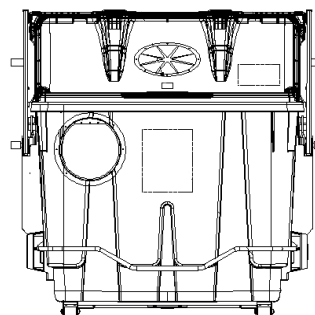
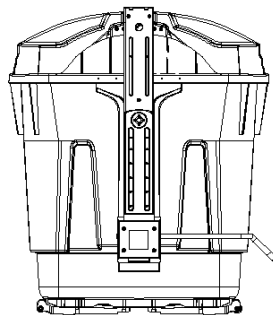
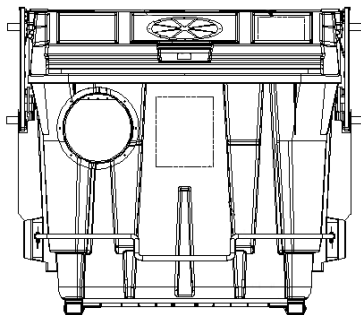
The containers are designed with clearly marked waste apertures and instructions on how to use them.

Diagrams and text indicating the type of waste.

Pictogram based on the PICOL system (Pictorial Communication Language).

Instructions in Braille on the lid of the container, stating the type of waste.

### STANDARDS



### ATRIBUTTES



ERGONOMICS



QUALITY



ACCESSIBILITY



ACCESSIBLE APERTURES



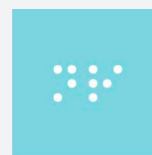
PLASTIC APERTURES

### EQUIPMENT

Reduced -height apertures with sizes and features specially designed to accommodate each type of waste.

Recess for electronic chips.

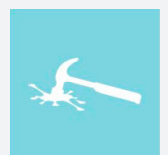
Can be equipped with a range of accessories providing real solutions to every requirement: lid-lifting pedal and lever, RFID chip, shock absorber, reflective strips, access control system, fill control system, temperature control system, alignment system. Designed with plenty of space for customization.



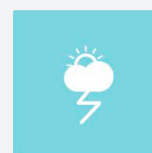
Braille signs



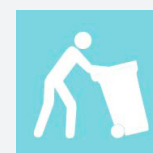
Accessible



Resistant



Corrosion resistance



Easy to handle



Easy to clean