

FEATURES

Manufactured using injection moulded, solid-coloured high-density virgin polyethylene, stabilised against the combined effects of UV radiation and water.

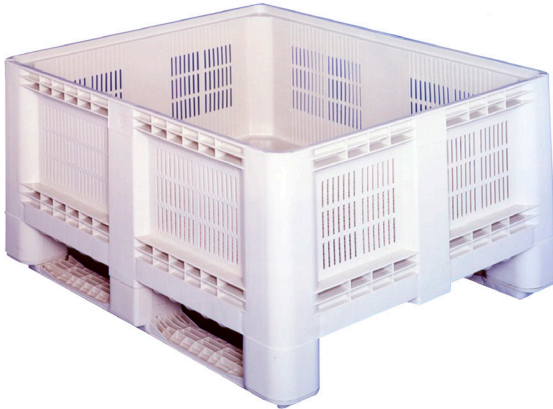
Manufactured using environmentally-friendly recyclable materials.

Tough enough to withstand extreme weather, cold storage, acid or alkaline solutions, mould, detergents, bacteria.

Stable colours with pigments that do not contain heavy metals.

Available with solid or perforated sides.

It is suitable for use with foodstuffs - official Health Registration Certification No: 3901279 /M



C-400 PERFORATED 4 feet, perforated sides and base

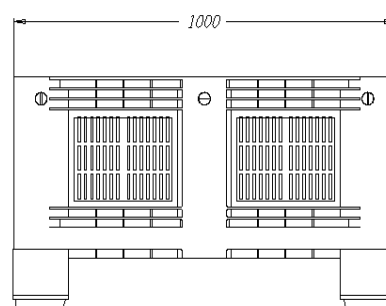
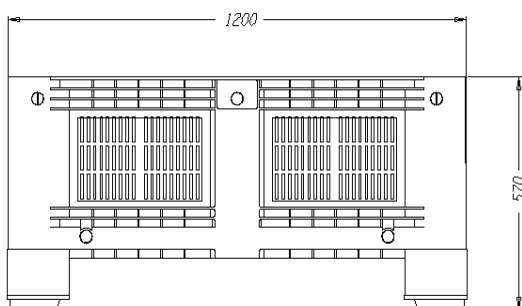
External dimensions : (mm) 1.200 x 1.000 x 570
 Capacity: 410 l.
 Fork entry height: 123 mm.
 Lid: 1.005 x 1.210 Weight: 3,75 kg.

Interior dimensions : (mm) 1.120 x 920 x 403
 Weight: 25,80
 Stacked container fork entry height: 100 mm.

C-400 SOLID 4 feet solid sides and base

External dimensions : (mm) 1.200 x 1.000 x 570
 Capacity: 410 l.
 Fork entry height: 123 mm.
 Lid: 1.005 x 1.210 Weight: 3,75 kg.

Interior dimensions : (mm) 1.120 x 920 x 403
 Weight: 26,70
 Stacked container fork entry height: 100 mm.



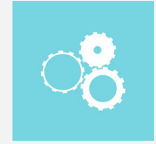
ATTRIBUTES



VERSATILITY



RESISTANT



FUNCTIONALITY



Official Health Certification N° 3901279/M

EQUIPMENT

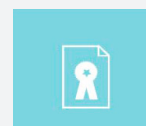
The Technibox has one of the most comprehensive ranges of exclusive accessories on the market - they can be fitted easily and have been meticulously designed to fit the body perfectly:

- 4 to 9 feet.
- Drain cock.
- Reinforced ABS lid.
- Two or three skids.
- Label holder.

STANDARDS



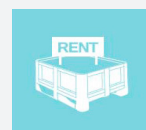
Foodstuffs



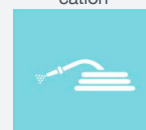
Health Certification



Easier maintenance



Renting



Easy to clean



Resistant to atmospheric conditions